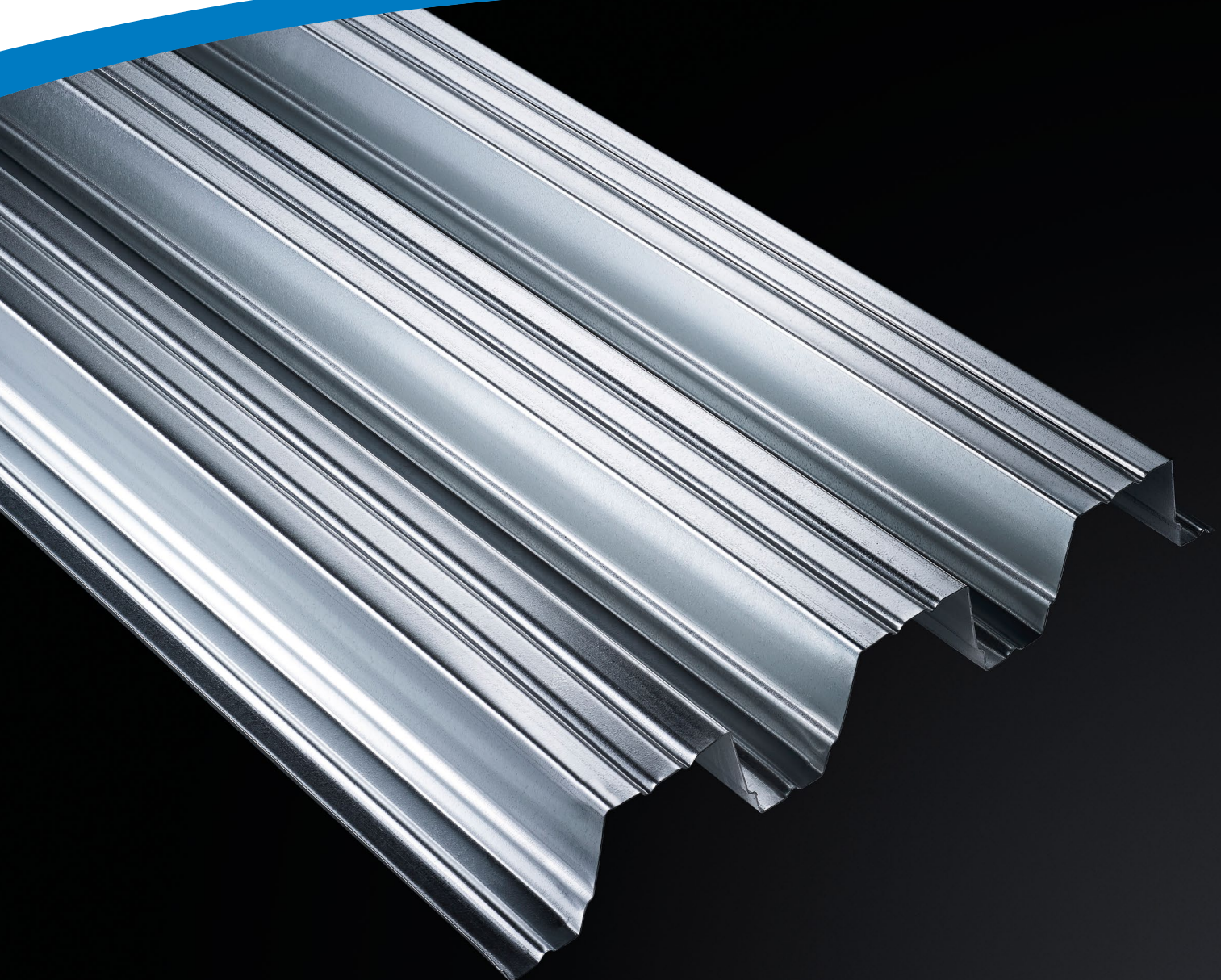


TATA STEEL



The RoofDek range at a glance

Steel and aluminium roof decks



The RoofDek range at a glance

Steel and aluminium roof decks

Tata Steel offers the most comprehensive range of structural roof decking all under one UK manufacturer's roof; all the steel profiles in specific gauges are FM approved. We also supply additional profiles to complement our UK manufactured range from Tata Steel in Europe.

- Technical support with a free diaphragm design service and Tedds RoofDek software to aid design.
- The most extensive cost-effective and efficient range of roof deck profiles in the UK. Huge span range from 1m to 12m.
- Colorcoat HPS200 Ultra® pre-finished steel soffits offer significant additional protection for aggressive internal environments.
- Colorcoat® High Reflect provides maximum reflectivity for exposed soffits.
- FM Approved steel roof deck.

Roofing applications suitable for use on RoofDek:

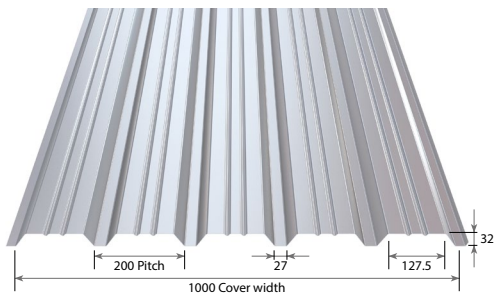
- Single ply membrane.
- Standing seam systems.
- Green roofs.
- Slates and tiles.
- Three ply felt.
- Asphalt.

The RoofDek range

Trapezoidal profiles 32mm to 60mm deep

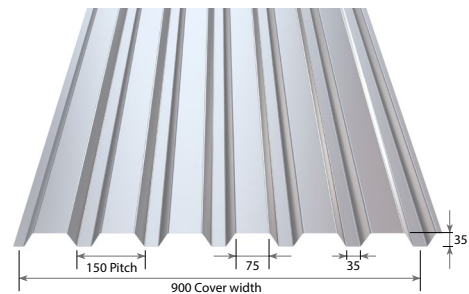
- Developed to optimise the designer's needs for efficiency, aesthetics and structural performance.
- RoofDek D35 and D46 can be supplied crimp curved down to 400mm radius.
- All can be self curved to 40m to 85m radius depending on profile and finish.
- Suitable for diaphragm design applications.

RoofDek D32S



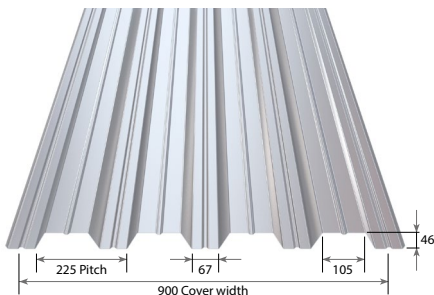
- Economy profile for use on purlins.
- Span range 1.2m to 2m.
- Steel 0.7mm, 0.9mm, 1.2mm galvanised or interior liner white finish.
- Colorcoat HPS200 Ultra® pre-finished steel 0.7mm.
- Aluminium 0.9mm stucco or coated, 1.2mm mill finish.
- Available with Colorcoat® High Reflect.

RoofDek D35



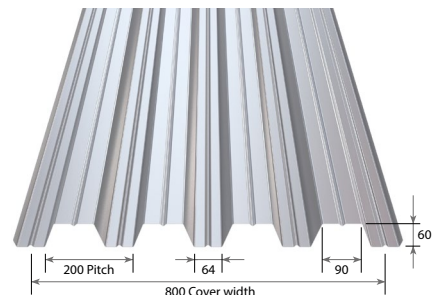
- Ideal for single ply on purlins.
- Span range 1.5m to 2.5m.
- Steel 0.7mm, 0.9mm, 1.2mm galvanised or interior liner white finish.
- Aluminium 0.9mm stucco or coated, 1.2mm mill finish.
- Available with Colorcoat® High Reflect.

RoofDek D46



- Efficient deck for use on purlins or main steel.
- Span range 2m to 3.5m.
- Steel 0.7mm, 0.9mm, 1.2mm galvanised or interior liner white finish.
- Colorcoat HPS200 Ultra® pre-finished steel 0.7mm.
- Aluminium 0.9mm stucco or coated, 1.2mm mill finish.
- Available with Colorcoat® High Reflect.

RoofDek D60

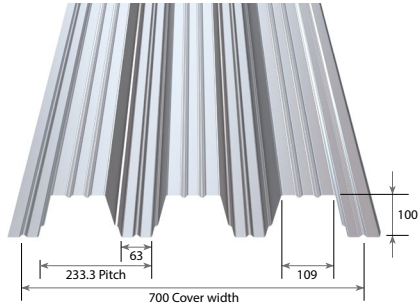


- Strong midspan profile for use on purlins or main steel.
- Span range 2.5m to 4m.
- Steel 0.7mm, 0.9mm, 1.2mm galvanised or interior liner white finish.
- Colorcoat HPS200 Ultra® pre-finished steel 0.7mm.
- Aluminium 0.9mm stucco or coated, 1.2mm mill finish.
- Available with Colorcoat® High Reflect.

Decks to span between main frames

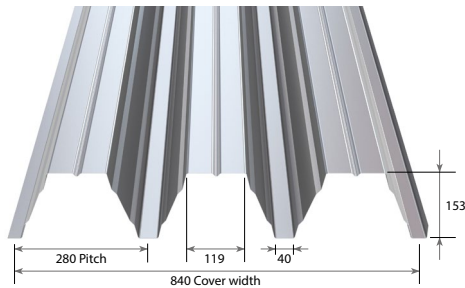
- Extensive structural roof deck range to span cleanly between main frames.
- Eliminates the cost and visual clutter of purlins and purlin bracing.
- By utilising diaphragm design, provided free of charge by Tata Steel, cross bracing can also be eliminated.

RoofDek D100



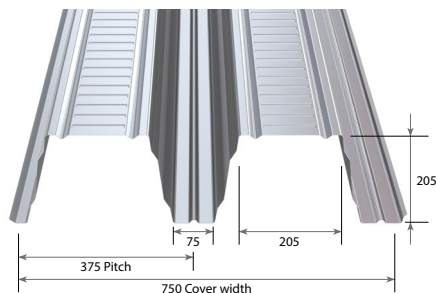
- Robust long span deck.
- Span range 4m to 6m.
- Steel 0.7mm, 0.9mm, 1.2mm galvanised or interior liner white finish.
- Colorcoat HPS200 Ultra® pre-finished steel 0.7mm.
- Aluminium 0.9mm stucco or coated, 1.2mm mill finish.
- Available with Colorcoat® High Reflect.

RoofDek D153



- Big brother to D137, extending span range.
- Span range 5m to 8m.
- Steel 0.75mm, 0.88mm, 1.25mm interior liner white finish.

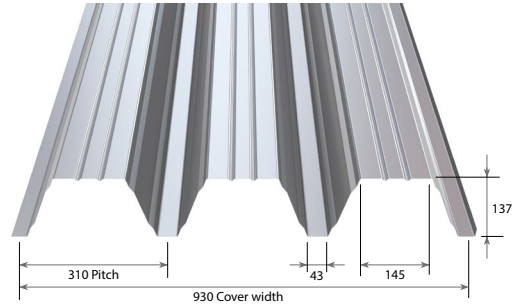
RoofDek D200



- Ultimate spanning ultra strong profile.
- Span range 9m to 11m; 12m for light load roofs.
- Steel 0.88mm, 1.25mm, 1.5mm interior liner white finish.

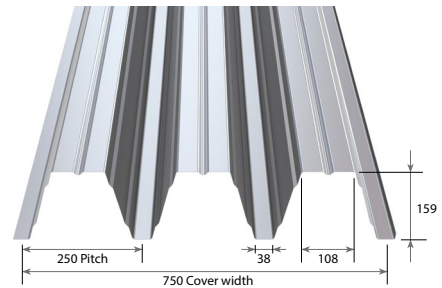
- Provides a beautiful clean uncluttered interior roof aesthetic that requires no ceilings.
- Supported by Tata Steel's technical service, providing full structural calculations to BS EN 1993-1-3 for steel and to BS EN 1999-1-4 for aluminium profiles.

RoofDek D137



- Optimised low deflection design.
- Span range 4.5m to 7m.
- Steel 0.75mm, 0.88mm, 1.25mm galvanised or interior liner white finish.

RoofDek D159

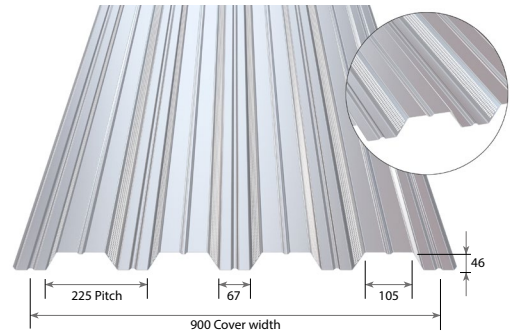


- Strong and stiff profile for reliable long span performance.
- Span range 6m to 9m.
- Steel 1.25mm galvanised or interior liner white finish.
- Aluminium 1.5mm mill finish.
- Available with Colorcoat® High Reflect.

Acoustic profiles

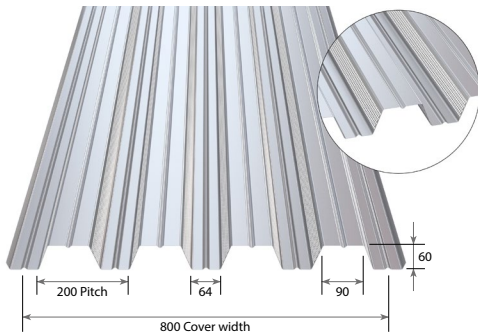
- Perforated web roof decking to provide acoustic absorption and structural support.
- RoofDek's tried and tested acoustic profiles achieve sound absorption ratings from A–D.
- Acoustic test data for absorption performance available.
- Open area as indicated below

RoofDek D46 perforated



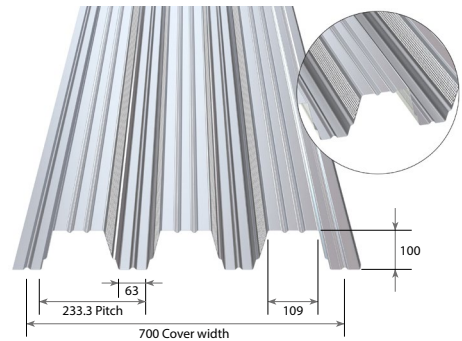
- 13.1% of cover area (plan area of soffit).
- 10.8% of exposed area (total of area metal exposed).

RoofDek D60 perforated



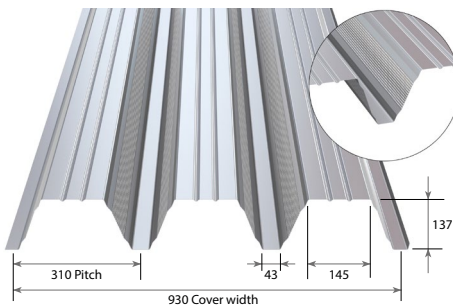
- 19.6% of cover area (plan area of soffit).
- 13.9% of exposed area (total area of metal exposed).

RoofDek D100 perforated



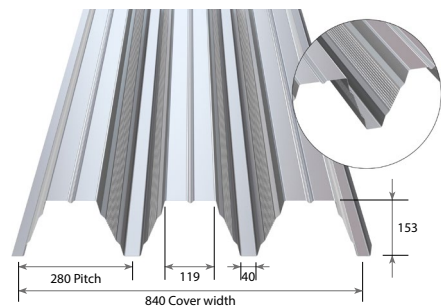
- 21.1% of cover area (plan area of soffit).
- 13.3% of exposed area (total area metal exposed).

RoofDek D137 perforated



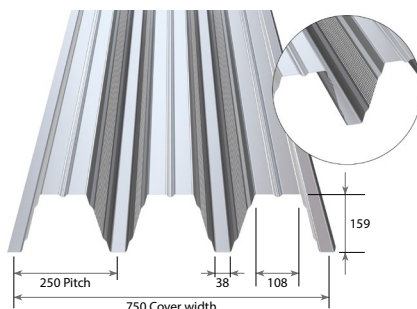
- 10.0% of cover area (plan area of soffit).
- 6.1% of exposed area (total area metal exposed).

RoofDek D153 perforated



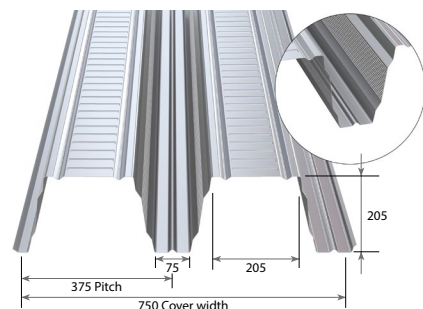
- 11.0% of cover area (plan area of soffit).
- 6.2% of exposed area (total area metal exposed).

RoofDek D159 perforated



- 14.2% of cover area (plan area of soffit).
- 7.6% of exposed area (total area metal exposed).

RoofDek D200 perforated



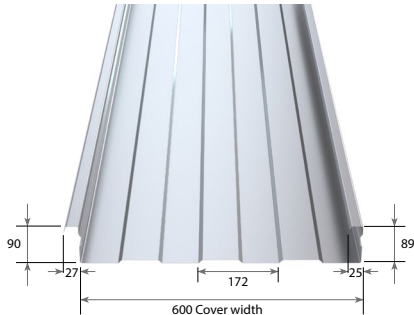
- 10.0% of cover area (plan area of soffit).
- 5.0% of exposed area (total area metal exposed).

Liner trays

- Structural liner trays span across the main steels to provide a neat planar inner surface.

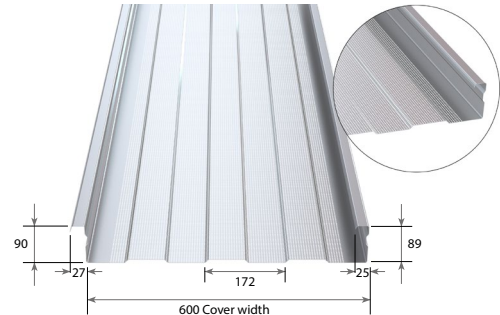
- Suitable for both roof and wall applications to support all roofing types and cladding.

RoofDek HLT90/600



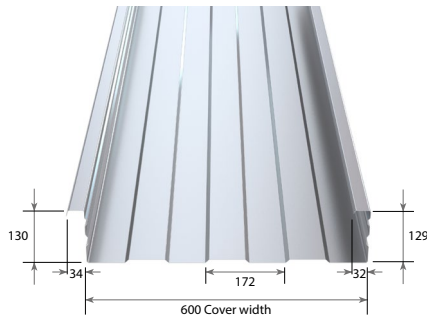
- Span range 3m to 4m.
- Steel 0.75mm, 1.0mm, 1.25mm with interior liner white finish.

RoofDek HLT90/600 perforated



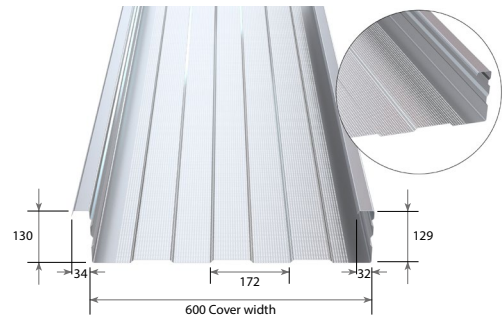
- Trough perforated.
- Open area 18.8%

RoofDek HLT130/600



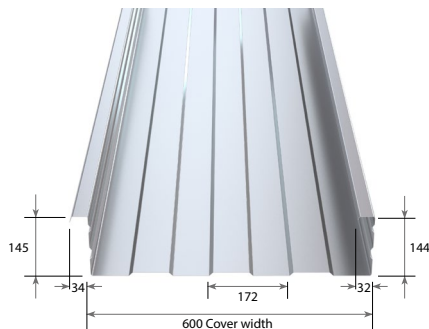
- Span range 4m to 6m.
- Steel 0.75mm, 1.0mm, 1.25mm with interior liner white finish.

RoofDek HLT130/600 perforated



- Trough perforated.
- Open area 18.8%

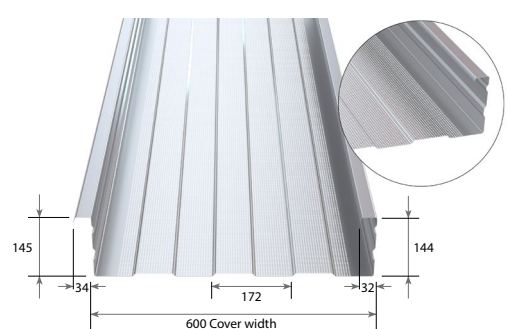
RoofDek HLT145/600



- Span range 5m to 6m*.
- Steel 0.75mm, 1.0mm, 1.25mm with interior liner white finish.

* Limited by maximum sheet length of 12m.

RoofDek HLT145/600 perforated



- Trough perforated.
- Open area 18.8%

Design software and online RoofDek selector

RoofDek Analysis Tedds Software enables a full deck analysis to achieve optimum design.

RoofDek online selector provides a fast deck selection to find the right RoofDek profile
Visit: www.tatasteelconstruction.com/roofdek

Professional support (T: 01244 892199)

Tata Steel maintains a friendly technical help desk which is freely available to all Consulting Engineers and Contractors to assist with roof decking design issues.

Design calculations and diaphragm design

The technical team are able to provide design calculations for live, dead, wind and snow drift loads and where required, diaphragm design calculations.

Sustainable roof deck

Factory produced with the backing of a robust quality management and environmental management standards. Full traceability of all components. Certified 'Very Good' to BREs responsible sourcing standard BES 6001.

www.tatasteelconstruction.com

Trademarks of Tata Steel UK Limited

Colorcoat, Colorcoat HPS200 Ultra and RoofDek are trademarks of Tata Steel UK Limited.

While care has been taken to ensure that the information contained in this publication is accurate, neither Tata Steel, nor its subsidiaries, accept responsibility or liability for errors or for information which is found to be misleading.

Before using products or services supplied or manufactured by Tata Steel and its subsidiaries, customers should satisfy themselves as to their suitability.

Copyright 2020

Tata Steel UK Limited

Tata Steel

Shotton

Deeside

Flintshire

CH5 2NH

United Kingdom

T: +44 (0) 1244 892199

E: technical.structuralproducts@tatasteel.com

Tata Steel, Registered Office: 30 Millbank London SW1P 4WY, Registered in England No. 2280000

UK1120